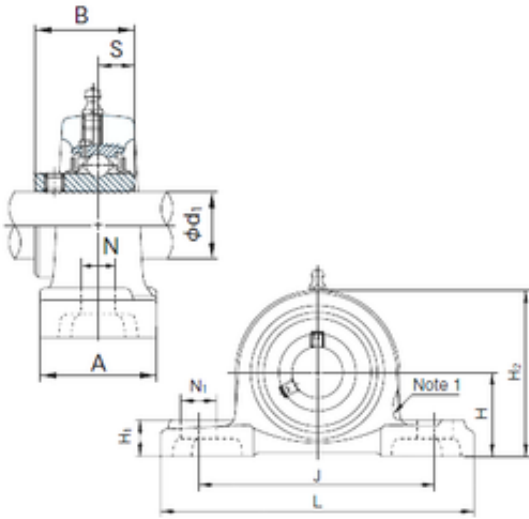




Timken Bearing Company



UCP210 Bearing 2D drawings and 3D CAD models

NACHI UCP210 Bearing section

Bearing No. UCP210

Bore Diameter	50 mm
Width	51.6 mm
d	50 mm
A	60 mm
B	51.6 mm
H	57.2 mm
H1	22 mm
H2	114 mm
J	159 mm
L	206 mm
N	20 mm
N1	25 mm
S	19 mm
Bolt (G)	M16
Category	Bearings
Inventory	0.0
Manufacturer Name	NACHI
Minimum Buy Quantity	N/A
Weight / Kilogram	0
Product Group	M06110