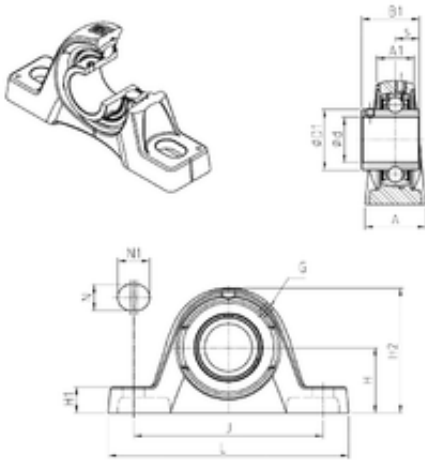




Timken Bearing Company

SNR UCPLE201 Bearing section

Bearing No. UCPLE201



UCPLE201 Bearing 2D drawings and 3D CAD models

| | |
|-------------------------------|----------|
| Bore Diameter | 12 mm |
| d | 12 mm |
| s | 12,7 mm |
| A | 32 mm |
| A1 | 22,5 mm |
| B1 | 31 mm |
| D1 | 29 mm |
| H | 31,8 mm |
| H1 | 12,5 mm |
| H2 | 63,7 mm |
| J | 94,5 mm |
| L | 126,5 mm |
| N | 11 mm |
| N1 | 17 mm |
| Thread (G) | M6x1 |
| Weight | 0,5 Kg |
| Basic dynamic load rating (C) | 12,8 kN |
| B | 31 mm |
| G | M6x1 |
| s1 | 15.5 mm |
| S | 12.7 mm |
| C | 12.8 kN |
| C0 | 6.65 kN |
| T min. | -20 ° C |
| T max. | 100 ° C |
| Recommended tightening | 5.5 Nm |



Timken Bearing Company

| | |
|------------------------|---------|
| torque for set screw | |
| Designation of housing | PLE204- |
| Designation of bearing | UC201G2 |