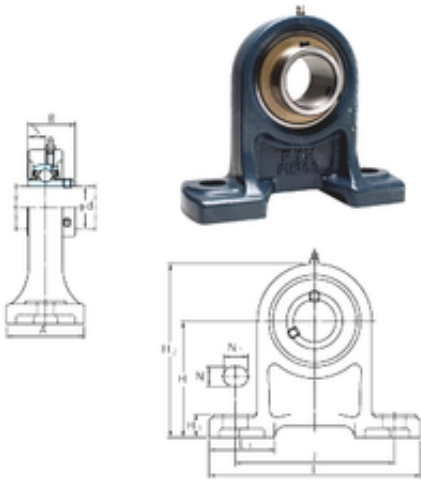




# Timken Bearing Company

## FYH UCPH203 Bearing section

Bearing No. UCPH203



UCPH203 Bearing 2D drawings and 3D CAD models

Bore Diameter	17 mm
Width	31 mm
d	17 mm
A	40 mm
B	31 mm
H	70 mm
H1	15 mm
H2	101 mm
J	95 mm
L	127 mm
L1	46 mm
N	13 mm
N1	19 mm
S	12,7 mm
Bolt (G)	M10
Weight	0,93 Kg
Basic dynamic load rating (C)	12,8 kN
Basic static load rating (C0)	6,65 kN