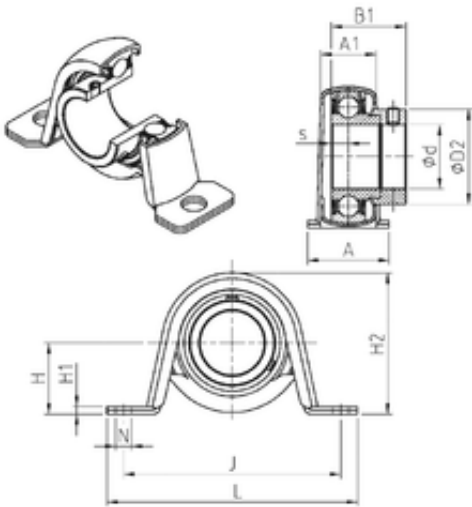




Timken Bearing Company



SNR ESPP202 Bearing section

Bearing No. ESPP202

| | |
|-------------------------------|---------|
| Bore Diameter | 15 mm |
| d | 15 mm |
| s | 6,5 mm |
| A | 25,4 mm |
| A1 | 15,9 mm |
| B1 | 28,6 mm |
| H | 22,2 mm |
| H1 | 2,4 mm |
| H2 | 43,2 mm |
| J | 68 mm |
| L | 85,7 mm |
| N | 9 mm |
| Weight | 0,2 Kg |
| Basic dynamic load rating (C) | 9,55 kN |

ESPP202 Bearing 2D drawings and 3D CAD models