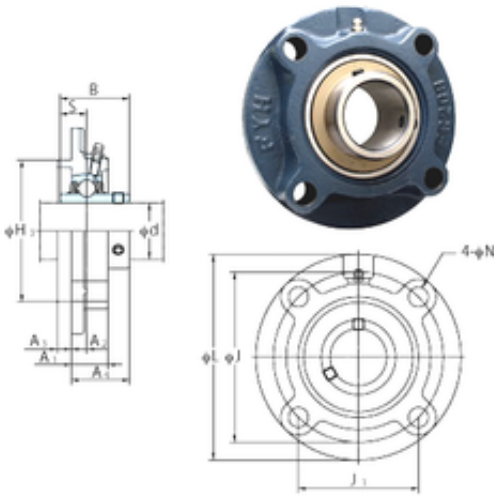




Timken Bearing Company

FYH UCFC209-27 Bearing section

Bearing No. UCFC209-27



UCFC209-27 Bearing 2D drawings and 3D CAD models

Bore Diameter	42,8625 mm
d	42,8625 mm
H3	105 mm
A4	40,2 mm
A1	26 mm
B	49,2 mm
J	132 mm
L	160 mm
N	16 mm
S	19 mm
Bolt (G)	M14
A2	10 mm
A3	12 mm
J1	93,3 mm
Weight	2,6 Kg
Basic dynamic load rating (C)	34,1 kN
Basic static load rating (C0)	21,3 kN