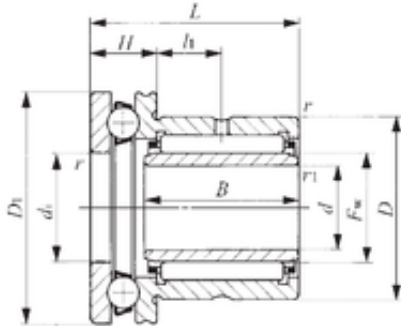




# Timken Bearing Company

## 9 mm x 21 mm x 16 mm IKO NAXI 923 Compound bearing



Bearing No. NAXI 923

Bore Diameter	9 mm
Outer Diameter	21 mm
d	9 mm
Fw	12 mm
D	21 mm
D1	26 mm
B	16 mm
d1	12 mm
r min.	0,3 mm
r1 min.	0,3 mm
H	9 mm
L	23 mm
L1	6,5 mm
da min.	20 mm
db	11 mm
Weight	0,0495 Kg
Dynamic load rating radial (C)	9,25 kN
Dynamic load rating axial (C)	9,67 kN
Static load rating radial (C0)	11,2 kN
Static load rating axial (C0)	11,1 kN

NAXI 923 Bearing 2D drawings and 3D CAD models