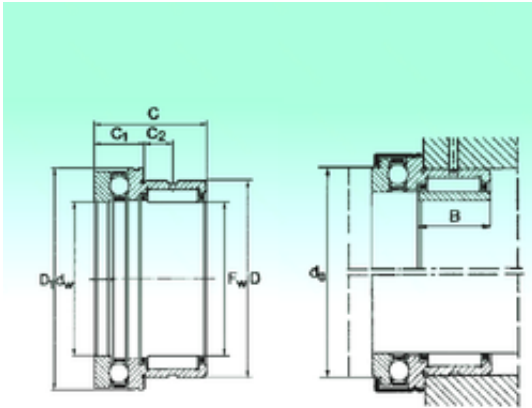




Timken Bearing Company



NKX 70 Bearing 2D drawings and 3D CAD models

NBS NKX 70 Compound bearing

Bearing No. NKX 70

| | |
|--------------------------------|-------------|
| Size | 70x85x40 mm |
| Bore Diameter | 70 mm |
| Outer Diameter | 85 mm |
| Width | 40 mm |
| d | 70 mm |
| Fw | 70 mm |
| D | 85 mm |
| C | 40 mm |
| C1 | 18 mm |
| D1 | 95,2 mm |
| D2 | 96,5 mm |
| C2 | 11 mm |
| da | 90,5 mm |
| Weight | 0,5 Kg |
| Dynamic load rating radial (C) | 42,5 kN |
| Dynamic load rating axial (C) | 42 kN |
| Static load rating radial (C0) | 91 kN |
| Static load rating axial (C0) | 120 kN |