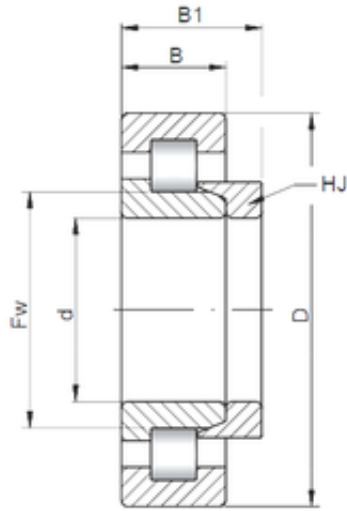




# Timken Bearing Company



## 130 mm x 230 mm x 40 mm ISO NH226 Cylindrical roller bearing

Bearing No. NH226

Size	130x230x40 mm
Bore Diameter	130 mm
Outer Diameter	230 mm
Width	40 mm
d	130 mm
D	230 mm
B	40 mm
C	40 mm
B1	11 mm
B2	17 mm

NH226 Bearing 2D drawings and 3D CAD models