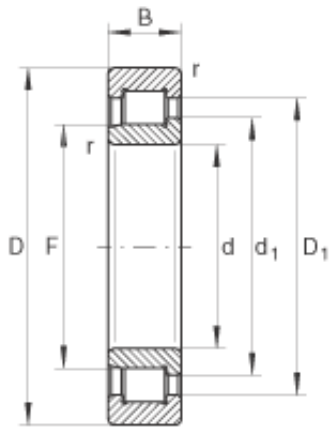




# Timken Bearing Company

## 220 mm x 460 mm x 145 mm INA SL192344-TB Cylindrical roller bearing



Bearing No. SL192344-TB

Size	220x460x145 mm
Bore Diameter	220 mm
Outer Diameter	460 mm
Width	145 mm
d	220 mm
D	460 mm
B	145 mm
D <sub>1</sub>	388,3 mm
d <sub>1</sub>	297 mm
F	266,71 mm
r <sub>min</sub>	5 mm
s	7 mm / Axial displacement
m	111,2 kg / Weight
C <sub>r</sub>	2650000 N / Dynamic load rating (radial)
C <sub>0r</sub>	3450000 N / Static load rating (radial)
C <sub>ur</sub>	355000 N / Fatigue limit load, radial
n <sub>G</sub>	910 1/min / Limiting speed

SL192344-TB Bearing 2D drawings and 3D CAD models