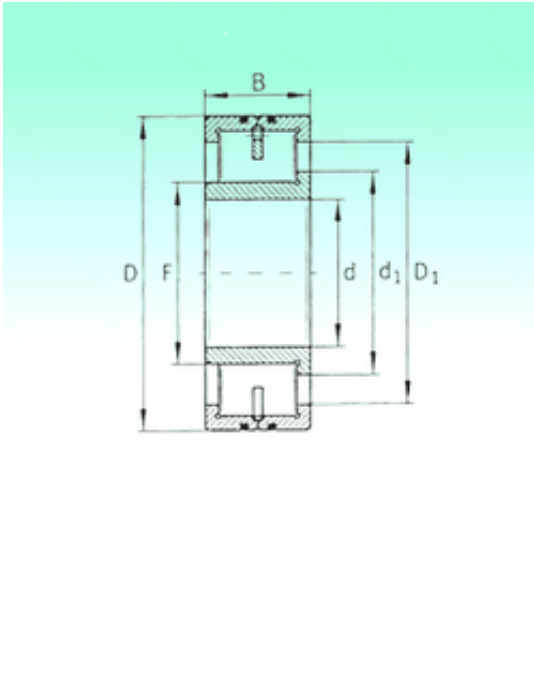




Timken Bearing Company



LSL192334 Bearing 2D drawings and 3D CAD models

170 mm x 360 mm x 120 mm NBS LSL192334 Cylindrical roller bearing

Bearing No. LSL192334

Size	170x360x120 mm
Bore Diameter	170 mm
Outer Diameter	360 mm
Width	120 mm
d	170 mm
F	230,55 mm
D	360 mm
B	120 mm
C	120 mm
d1	226,6 mm
D1	295,4 mm
S	7 mm
Weight	57,5 Kg
Basic dynamic load rating (C)	1750 kN
Basic static load rating (C0)	2230 kN