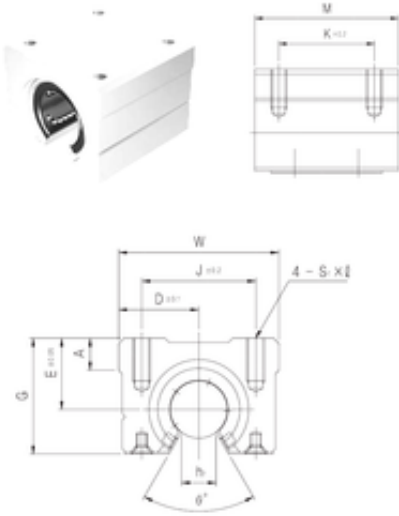




# Timken Bearing Company



## Samick SBR16UU Linear bearing

Bearing No. SBR16UU

Bore Diameter	16 mm
Outer Diameter	22,5 mm
d	16 mm
D	22,5 mm
h1	11 mm
A	9 mm
E	20 mm
G	33 mm
J	32 mm
K	30 mm
M	45 mm
S1x	M5
W	45 mm
	80 mm
Weight	0,15 Kg
Basic dynamic load rating (C)	0,77 kN

SBR16UU Bearing 2D drawings and 3D CAD models