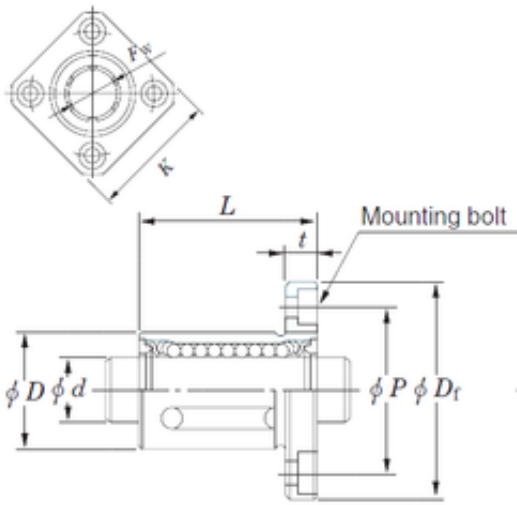




# Timken Bearing Company

## KOYO SDMK12 Linear bearing

Bearing No. SDMK12



SDMK12 Bearing 2D drawings and 3D CAD models

Bore Diameter	12 mm
Outer Diameter	21 mm
Fw	12 mm
D	21 mm
P	32 mm
t	6 mm
D1	42 mm
K	32 mm
L	30 mm
Bolt (G)	M4
Weight	72 Kg
Basic dynamic load rating (C)	260 kN