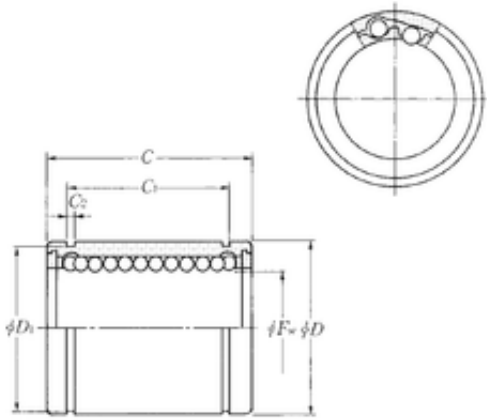




Timken Bearing Company

NTN KLM10 Linear bearing

Bearing No. KLM10



KLM10 Bearing 2D drawings and 3D CAD models

Size	10x19x29 mm
Bore Diameter	10 mm
Outer Diameter	19 mm
Width	29 mm
Fw	10 mm
D	19 mm
C	29 mm
C1	21,7 mm
D1	18 mm
C2	1,3 mm
Weight	0,028 Kg
Basic dynamic load rating (C)	435 kN