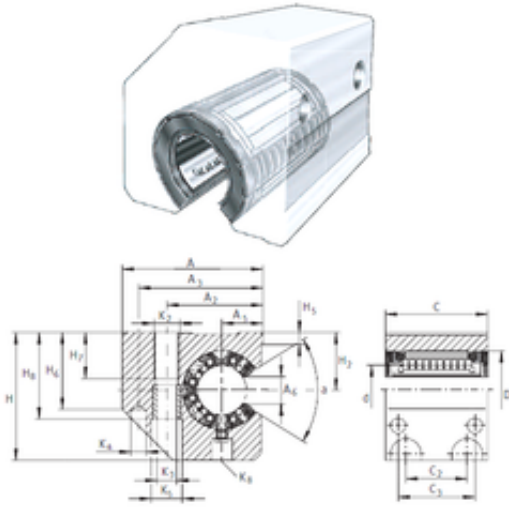




Timken Bearing Company

INA KGSC30-PP-AS Linear bearing

Bearing No. KGSC30-PP-AS



KGSC30-PP-AS Bearing 2D drawings and 3D CAD models

Bore Diameter	30 mm
d	30 mm
A6	14,3 mm
H5	9 mm
H6	52 mm
H7	29 mm
H8	55,6 mm
K3	13,5 mm
K4	10 mm
K5	20 mm
Thread (K2)	M16
Thread (K8)	NIP 5 MZ
A5	25 mm
C3	52 mm
Angle (?)	57 °
A	86 mm
C	68 mm
D	47 mm
H	82 mm
H2	40 mm
A2	59 mm
A3	76 mm
C2	42 mm
Weight	1 Kg
Basic dynamic load rating (C)	5,9 kN