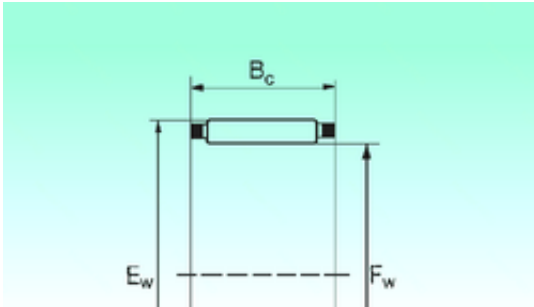




# Timken Bearing Company



## NBS K 43x48x27 Needle bearing

Bearing No. K 43x48x27

Bore Diameter	43 mm
Outer Diameter	48 mm
Fw	43 mm
Ew	48 mm
Bc	27 mm
Weight	0,0457 Kg
Basic dynamic load rating (C)	33 kN
Basic static load rating (C0)	74,5 kN

K 43x48x27 Bearing 2D drawings and 3D CAD models