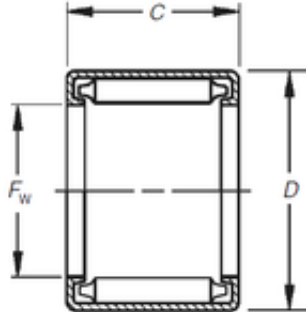




Timken Bearing Company

Timken B-44 Needle bearing



Bearing No. B-44

Size	6.35x11.113x6.35 mm
Bore Diameter	6,35 mm
Outer Diameter	11,113 mm
Width	6,35 mm
Fw	6,35 mm
D	11,113 mm
C	6,35 mm
Weight	0,002 Kg
Basic dynamic load rating (C)	2,76 kN
Basic static load rating (C0)	2,62 kN
(Grease) Lubrication Speed	6500 r/min

B-44 Bearing 2D drawings and 3D CAD models