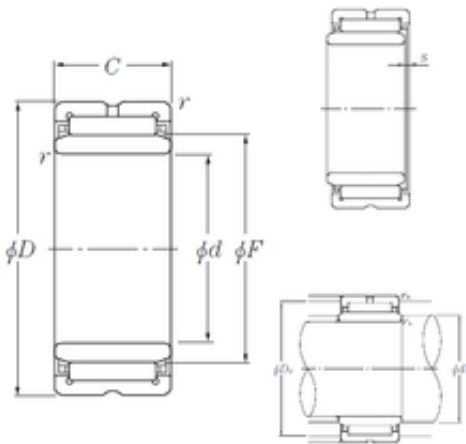




Timken Bearing Company



28 mm x 45 mm x 30 mm NTN NA69/28R Needle bearing

Bearing No. NA69/28R

NA69/28R Bearing 2D drawings and 3D CAD models

Size	28x45x30 mm
Bore Diameter	28 mm
Outer Diameter	45 mm
Width	30 mm
d	28 mm
F	32 mm
D	45 mm
B	30 mm
C	30 mm
r min.	0,3 mm
s	1 mm
da min.	30 mm
Da max.	43 mm
ra max.	0,3 mm
Weight	0,179 Kg
Basic dynamic load rating (C)	43 kN
Basic static load rating (C0)	67 kN
(Grease) Lubrication Speed	8 500 r/min
rs min	0.3 mm
s max	1 mm
Dw	4 mm
Lw	25.4 mm
Lubrication hole on outer ring	Oui/Yes
k	2.5 mm



Timken Bearing Company

Lubrication hole on inner ring	Non/No
Radial clearance class	CN
Precision class	P0
Mass	0.18 kg
Cr	43 kN
C0r	67 kN
Nlim (grease)	8,500 rpm
Nlim (oil)	13,000 rpm
Min operating temperature, Tmin	-20 ° C
Max operating temperature, Tmax	120 ° C
Characteristic cage frequency, FTF	0.44 Hz
Characteristic rolling element frequency, BSF	8.89 Hz
Characteristic outer ring frequency, BPF0	8 Hz
Characteristic inner ring frequency, BPF1	10 Hz
da min	30 mm
Da max	43 mm
ras max	0.3 mm
Category	Bearings
Inventory	0.0
Manufacturer Name	NTN
Minimum Buy Quantity	N/A
Weight / Kilogram	0.176
Product Group	B04144