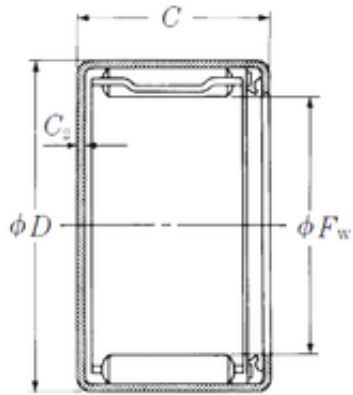




Timken Bearing Company

NSK MFJLT-1214 Needle bearing

Bearing No. MFJLT-1214



Size	12x19x14 mm
Bore Diameter	12 mm
Outer Diameter	19 mm
Width	14 mm
Fw	12 mm
D	19 mm
C	14 mm
C2	1 mm
Weight	0,012 Kg
Basic dynamic load rating (C)	6,65 kN

MFJLT-1214 Bearing 2D drawings and 3D CAD models