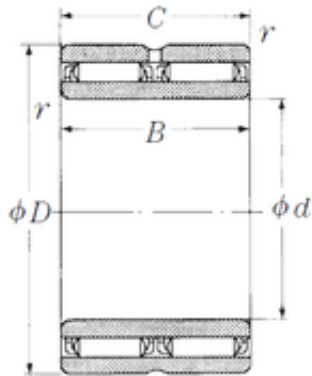




# Timken Bearing Company

## 50 mm x 78 mm x 40 mm NSK NAFW507840 Needle bearing

Bearing No. NAFW507840



NAFW507840 Bearing 2D drawings and 3D CAD models

Size	50x78x40 mm
Bore Diameter	50 mm
Outer Diameter	78 mm
Width	40 mm
d	50 mm
Fw	60 mm
D	78 mm
B	40 mm
C	40 mm
r min.	1 mm
Weight	0,8 Kg
Basic dynamic load rating (C)	71 kN
Basic static load rating (C0)	156 kN