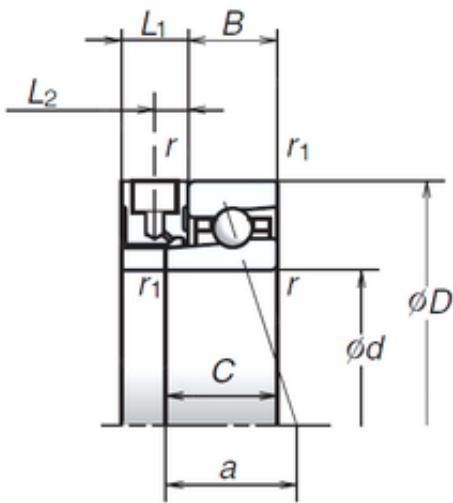




# Timken Bearing Company



## 40 mm x 68 mm x 15 mm NSK 40BNR10XE Radial thrust ball bearing

Bearing No. 40BNR10XE

Size	40x68x15 mm
Bore Diameter	40 mm
Outer Diameter	68 mm
Width	15 mm
d	40 mm
D	68 mm
B	15 mm
C	20 mm
L2	7,5 mm
Angle ( )	18 °
a	21,2 mm
r min.	1 mm
r1 min.	0,6 mm
L1	15 mm
Weight	0,217 Kg
Basic dynamic load rating (C)	10,6 kN
Basic static load rating (C0)	7,95 kN
(Grease) Lubrication Speed	61 200 r/min

40BNR10XE Bearing 2D drawings and 3D CAD models