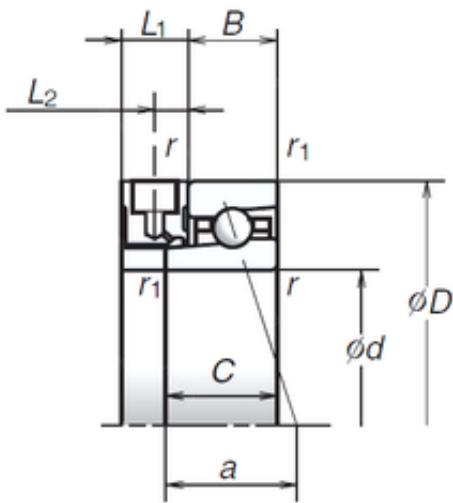




Timken Bearing Company



105 mm x 160 mm x 26 mm NSK 105BER10XE Radial thrust ball bearing

Bearing No. 105BER10XE

Size	105x160x26 mm
Bore Diameter	105 mm
Outer Diameter	160 mm
Width	26 mm
d	105 mm
D	160 mm
B	26 mm
C	31 mm
L2	7,5 mm
Angle ()	25 °
a	48,9 mm
r min.	2 mm
r1 min.	1 mm
L1	15 mm
Weight	1,707 Kg
Basic dynamic load rating (C)	39 kN
Basic static load rating (C0)	39,5 kN
(Grease) Lubrication Speed	22 700 r/min

105BER10XE Bearing 2D drawings and 3D CAD models