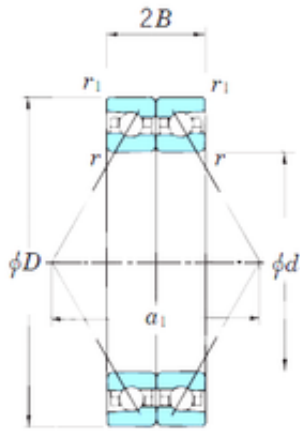




**KOYO ACT032DB Radial thrust ball bearing**



Bearing No. ACT032DB

Bore Diameter	160 mm
Outer Diameter	240 mm
d	160 mm
D	240 mm
Angle ( )	30 °
a	190 mm
r min.	2,1 mm
r1 min.	1,1 mm
2B	72 mm
Weight	11,4 Kg
Basic dynamic load rating (C)	130 kN
Basic static load rating (C0)	377 kN
(Grease) Lubrication Speed	3 000 r/min

ACT032DB Bearing 2D drawings and 3D CAD models