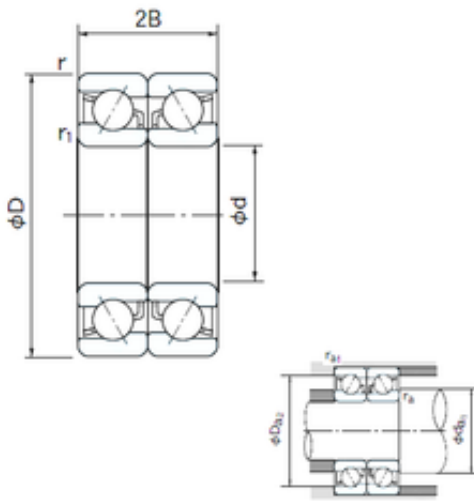




Timken Bearing Company



150 mm x 320 mm x 65 mm NACHI 7330BDB
Radial thrust ball bearing

Bearing No. 7330BDB

7330BDB Bearing 2D drawings and 3D CAD models

Size	150x320x65 mm
Bore Diameter	150 mm
Outer Diameter	320 mm
Width	65 mm
d	150 mm
D	320 mm
B	65 mm
C	65 mm
Angle (°)	40 °
a	66.1 mm
r min.	4 mm
r1 min.	1.5 mm
2B	130 mm
da min.	159 mm
Da max.	311 mm
ra max.	1.5 mm
Weight	25.1 Kg
Basic dynamic load rating (C)	505 kN
Basic static load rating (C0)	725 kN
(Grease) Lubrication Speed	1300 r/min
Bore Type	Cylindrical Bore
Enclosure	Open
Configuration	Duplex
Bore Size	150 mm
Outside Diameter	320 mm



Timken Bearing Company

Width	65 mm
Fillet Radius/Chamfer	4 mm
r1	1.5 mm
Dynamic Load Rating	505,000 N
Static Load Rating	725,000 N
Limiting Speed - Grease	1,300 rpm
Limiting Speed - Oil	1,600 rpm
da1 (min)	168 mm
da2 (min)	159 mm
Da1 (max)	302 mm
Da2 (max)	311 mm
ra (max)	3 mm
ra1 (max)	1.5 mm