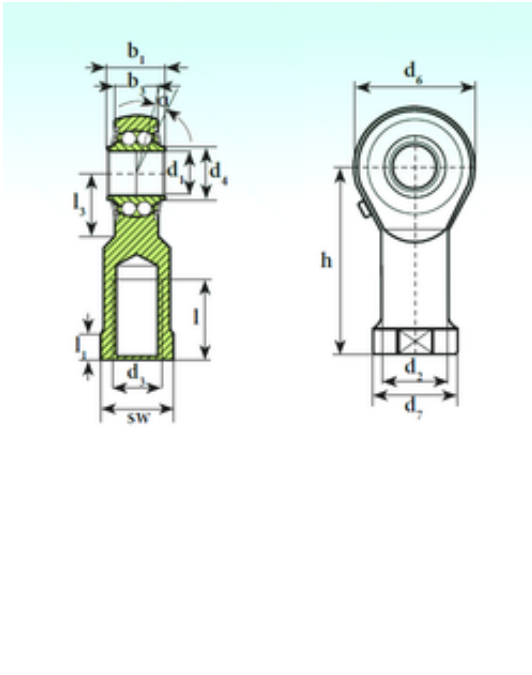




Timken Bearing Company



TSF 22 BB Bearing 2D drawings and 3D CAD models

ISB TSF 22 BB Self adjusting ball bearing

Bearing No. TSF 22 BB

Bore Diameter	22 mm
d1	22 mm
d7	38 mm
l	37 mm
b1	28 mm
d2	30 mm
d4	26 mm
d6	54 mm
h	84 mm
l1 min.	12 mm
l3 min.	26 mm
SW	32 mm
B3	20 mm
Thread (G)	M22x1,5
Angle	8 °
Weight	0,48 Kg
Basic dynamic load rating (C)	9,35 kN
Basic static load rating (C0)	3,95 kN
Limiting speed	750 r/min
Calculation factor (Y)	2,35