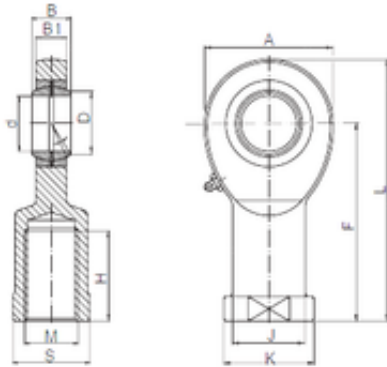




Timken Bearing Company

35 mm x 37,7 mm x 43 mm ISO SIL 35 sliding bearing



Bearing No. SIL 35

Bore Diameter	35 mm
d	35 mm
B	43 mm
A	80 mm
B1	28 mm
D	37,7 mm
F	125 mm
H	56 mm
J	46 mm
K	58 mm
L	165 mm
S	50 mm
Bolt (G)	M36x2

SIL 35 Bearing 2D drawings and 3D CAD models