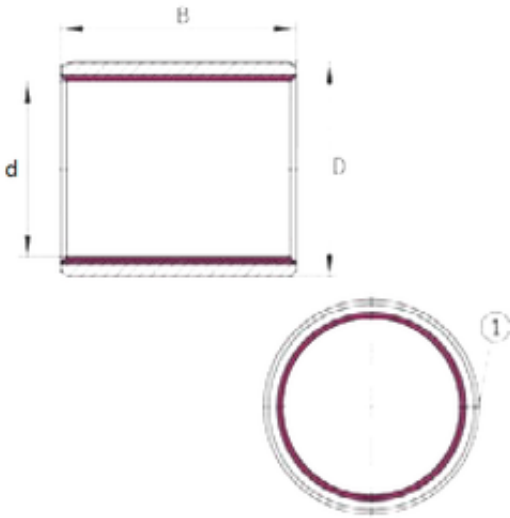




# Timken Bearing Company

24 mm x 27 mm x 30 mm INA EGB2430-E40-B sliding bearing



Bearing No. EGB2430-E40-B

EGB2430-E40-B Bearing 2D drawings and 3D CAD models

Size	24x27x30 mm
Bore Diameter	24 mm
Outer Diameter	27 mm
Width	30 mm
d	24 mm
D	27 mm
B	30 mm
Category	Sleeve Bearings
Inventory	0.0
Manufacturer Name	SCHAEFFLER GROUP
Minimum Buy Quantity	N/A
Weight / Kilogram	0.041
EAN	4012802755053
Product Group	B04264
Profile	Bushing No Flange Split
Material Description	Bronze Backing, Bronze Innerstructure, PTFE-lead Overlay
Material	Permaglide P11
Inch - Metric	Metric
Long Description	24MM Nominal Bore; 27MM Nominal Outside Diameter; 30MM Length Thru Bore; Bushing No Flange Split Profile; Bronze Backing, Bronze Innerstructure, PTFE-lead Overlay; Permaglide P11



## Timken Bearing Company

	Material
Category	Sleeve Bearings
UNSPSC	31171515
Harmonized Tariff Code	84833080
Noun	Bearing
Keyword String	Plain
Manufacturer URL	<a href="http://www.ina.com">http://www.ina.com</a>
Manufacturer Item Number	PAP2430P11
Weight / LBS	0.09
Nominal Outside Diameter	1.063 Inch   27 Millimeter
Length Thru Bore	1.181 Inch   30 Millimeter
Nominal Bore	0.945 Inch   24 Millimeter