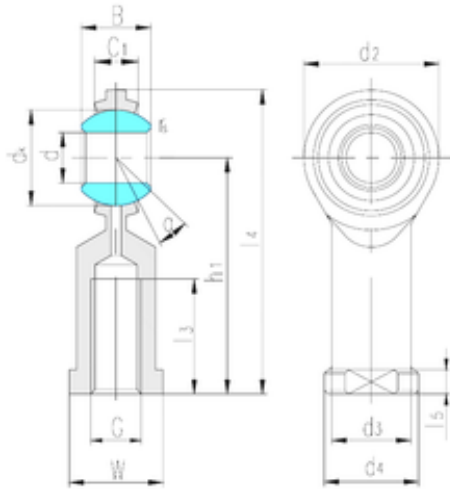




Timken Bearing Company



LS SIJ16 sliding bearing

Bearing No. SIJ16

Bore Diameter	16 mm
d	16 mm
B	21 mm
d2	38 mm
d3	22 mm
d4	27 mm
dk	28,575 mm
h1	64 mm
l3 min.	33 mm
l4 max.	83 mm
l5	8 mm
r min.	0,3 mm
C1	15 mm
W	22 mm
Thread (G)	M16
Angle	15 °
Weight	0,171 Kg
Basic dynamic load rating (C)	16,5 kN

SIJ16 Bearing 2D drawings and 3D CAD models