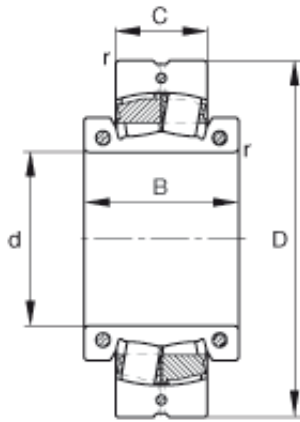




# Timken Bearing Company

## 180 mm x 340 mm x 160 mm FAG 231SM180-MA Spherical roller bearing



Bearing No. 231SM180-MA

231SM180-MA Bearing 2D drawings and 3D CAD models

Size	180x340x112 mm
Bore Diameter	180 mm
Outer Diameter	340 mm
Width	112 mm
d	180 mm
D	340 mm
C	112 mm
B	160 mm
$r_{\min}$	3 mm
m	56,4 kg / Weight
$C_r$	1020000 N / Dynamic load rating (radial)
e	0,29
$Y_1$	2,32
$Y_2$	3,45
$C_{0r}$	1530000 N / Static load rating (radial)
$Y_0$	2,26
$n_G$	780 1/min / Limiting speed
$C_{ur}$	119000 N / Fatigue limit load, radial
$F_{a \max}$	22000 N / Permissible axial load, for inner ring without axial abutment
$M_i$	69 Nm / Tightening torque per clamping screw



## Timken Bearing Company

$M_a$	35 Nm / Tightening torque per clamping screw
	23140K / Designation, spherical roller bearing, unsplit
	H3140 / Adapter sleeve