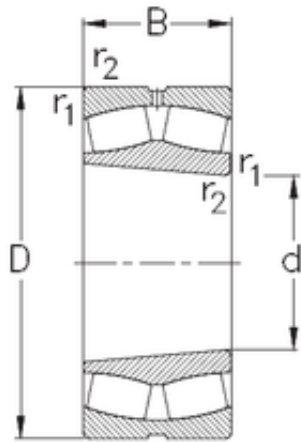




Timken Bearing Company



220 mm x 370 mm x 150 mm NKE
24144-K30-MB-W33 Spherical roller bearing

Bearing No. 24144-K30-MB-W33

Size	220x370x150 mm
Bore Diameter	220 mm
Outer Diameter	370 mm
Width	150 mm
d	220 mm
D	370 mm
B	150 mm
C	150 mm
r1 min.	4 mm
r2 min.	4 mm
Weight	65,5 Kg
Basic dynamic load rating (C)	1929 kN
Basic static load rating (C0)	3523 kN
Limiting speed	1400 r/min
Calculation factor (e)	0,4
Calculation factor (Y0)	1,64
Calculation factor (Y1)	1,68

24144-K30-MB-W33 Bearing 2D drawings and 3D CAD models