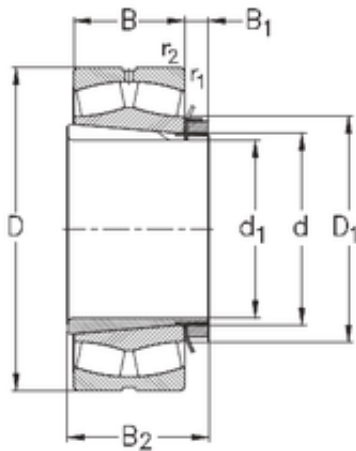




Timken Bearing Company

320 mm x 580 mm x 208 mm NKE 23264-K-MB-W33+OH3264-H Spherical roller bearing

Bearing No. 23264-K-MB-W33+OH3264-H



23264-K-MB-W33+OH3264-H Bearing 2D drawings and 3D CAD models

Size	320x580x208 mm
Bore Diameter	320 mm
Outer Diameter	580 mm
Width	208 mm
d	320 mm
d1	300 mm
D	580 mm
B	208 mm
C	208 mm
r1 min.	5 mm
r2 min.	5 mm
B1	42 mm
B2	258 mm
D1	400 mm
Weight	282 Kg
Basic dynamic load rating (C)	3880 kN
Basic static load rating (C0)	6520 kN
Limiting speed	950 r/min
Calculation factor (e)	0,37
Calculation factor (Y0)	1,7
Calculation factor (Y1)	1,8