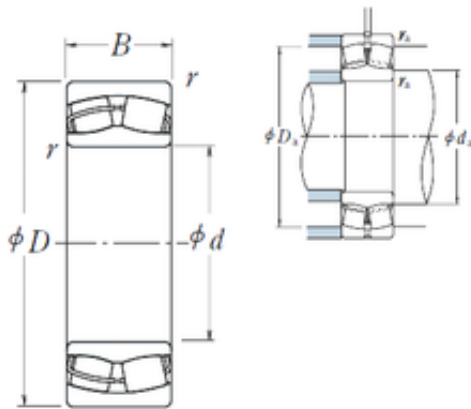




# Timken Bearing Company



## 100 mm x 215 mm x 47 mm NSK 21320CE4 Spherical roller bearing

Bearing No. 21320CE4

21320CE4 Bearing 2D drawings and 3D CAD models

Size	100x215x47 mm
Bore Diameter	100 mm
Outer Diameter	215 mm
Width	47 mm
d	100 mm
D	215 mm
B	47 mm
C	47 mm
r min.	3 mm
da min.	114 mm
da max	133 mm
Da min	184 mm
Da max.	201 mm
ra max.	2,5 mm
Weight	8,46 Kg
Basic dynamic load rating (C)	395 kN
Basic static load rating (C0)	485 kN
(Grease) Lubrication Speed	1400 r/min
(Oil) Lubrication Speed	1900 r/min
Calculation factor (e)	0,21
Calculation factor (Y0)	3,1
Calculation factor (Y2)	4,7
Y3	3.2
hidYobi	21320CE4
LangID	1



## Timken Bearing Company

Y1	3.2
D_	215
Y2	4.7
Macha rpm	0
B_	47
da min	114
hidTable	ecat_NSSPHR
Oil rpm	1900
Y0	3.1
mass	8.46
GRS rpm	1400
ra	2.5
TSR rpm	3400
C0	485
DE_	187.122
X0	1
Prod_Type3	SRB_CTB_CB
X1	1
X2	0.67
SIR	17
e	0.21
DA_	26
bomp	21320CE4
Z_	16
ALP2	5
ALP1	8
ALP3	0
D_a max	201
D_a min	184
yobi	21320CE4
ALPHA_	0.141
SDM_	161.381



## Timken Bearing Company

r	3
KBRG	2322
SBRG	3
DI_	135.639