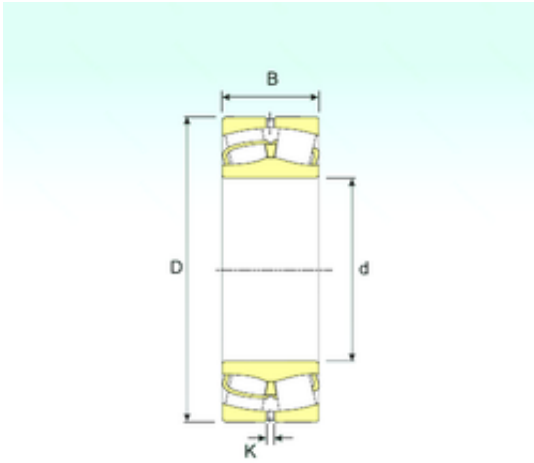




Timken Bearing Company



249/850 Bearing 2D drawings and 3D CAD models

850 mm x 1120 mm x 272 mm ISB 249/850 Spherical roller bearing

Bearing No. 249/850

Size	850x1120x272 mm
Bore Diameter	850 mm
Outer Diameter	1120 mm
Width	272 mm
d	850 mm
D	1120 mm
B	272 mm
C	272 mm
K	12 mm
Weight	740 Kg
Basic dynamic load rating (C)	9114 kN
Basic static load rating (C0)	22344 kN
(Grease) Lubrication Speed	306 r/min