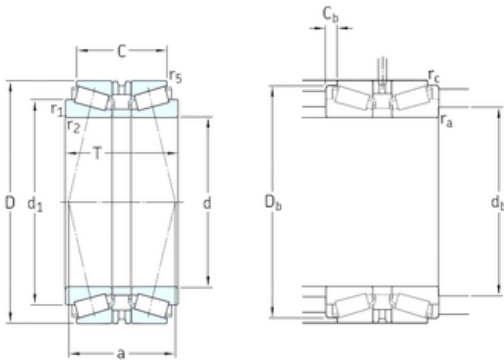




# Timken Bearing Company

## SKF 31318T103J2/DB31 Tapered roller bearing

Bearing No. 31318T103J2/DB31



31318T103J2/DB31 Bearing 2D drawings and 3D CAD models

Size	90x190x103 mm
Bore Diameter	90 mm
Outer Diameter	190 mm
Width	103 mm
d	90 mm
D	190 mm
T	103 mm
C	70 mm
a	124 mm
d1	138 mm
r1 min.	4 mm
r2 min.	4 mm
r5 min.	1 mm
Cb min.	16,5 mm
db min	105 mm
Db min.	179 mm
ra max.	3 mm
rc max.	1 mm
Weight	12,5 Kg
Basic dynamic load rating (C)	457 kN
Basic static load rating (C0)	630 kN
Fatigue load limit (Pu)	73,5
Reference speed	1900 r/min
Limiting speed	3400 r/min
Calculation factor (e)	0,83
Calculation factor (Y0)	0,8



# Timken Bearing Company

Calculation factor (Y1)	0,81
-------------------------	------