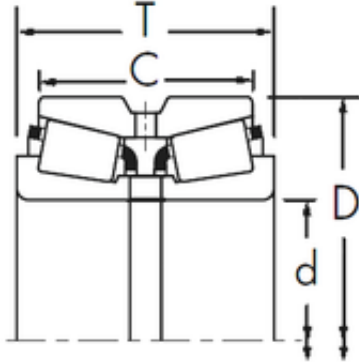




Timken Bearing Company

Timken 02877/02823D+X1S-02877 Tapered roller bearing

Bearing No. 02877/02823D+X1S-02877



02877/02823D+X1S-02877 Bearing 2D drawings and 3D CAD models

Size	34.925x76.2x47.625 mm
Bore Diameter	34,925 mm
Outer Diameter	76,2 mm
Width	47,625 mm
d	34,925 mm
D	76,2 mm
T	47,625 mm
C	38,1 mm
R	3,5 mm
r	0,8 mm