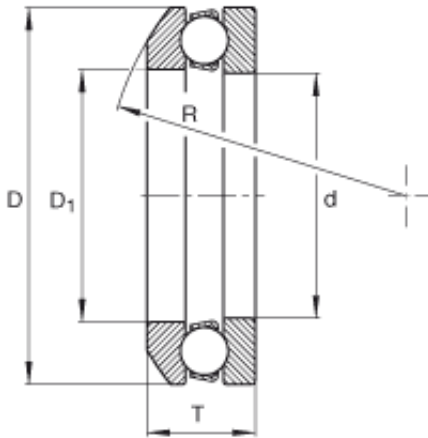




Timken Bearing Company



52X12 Bearing 2D drawings and 3D CAD models

INA 52X12 Thrust ball bearing

Bearing No. 52X12

Size	133.375x181.23x37.72 mm
Bore Diameter	133,375 mm
Outer Diameter	181,23 mm
Width	37,72 mm
d	5,251 inch
d	133,375 mm
D	7,135 inch
D	181,23 mm
T	1,485 inch
T	37,72 mm
D ₁	5,396 inch
D ₁	137,058 mm
R	217,5 mm
m	6,117 lbs / Weight
m	2,774 kg / Weight
C _a	29000 lbf / Dynamic load rating (axial)
C _a	128000 N / Dynamic load rating (axial)
C _{0a}	91000 lbf / Static load rating (axial)
C _{0a}	405000 N / Static load rating (axial)
Category	Thrust Ball Bearing
Inventory	0.0
Manufacturer Name	SCHAEFFLER GROUP
Minimum Buy Quantity	N/A



Timken Bearing Company

Weight / Kilogram	3.322
EAN	4054364115388
Product Group	B00152
Rolling Element	Ball Bearing
Thrust Bearing	Yes
Single or Double Direction	Single Direction
Banded	No
Cage Material	Steel
Precision Class	ABEC 1 ISO P0
Component Description	Roller Assembly Plus Raceways
Other Features	Single Row Deep Groove Grooved Race 3 Piece Ball
Long Description	5-1/4" Bore 1; 5.396" Bore 2; 7.135" Outside Diameter; 1-31/64" Height; Ball Bearing; Single Direction; Not Banded; Steel Cage; ABEC 1 ISO P0 Precision
Inch - Metric	Inch
Category	Thrust Ball Bearings
UNSPSC	31171507
Harmonized Tariff Code	8482.10.50.08
Noun	Bearing
Keyword String	Ball Thrust
Manufacturer URL	http://www.ina.com
Manufacturer Item Number	52X12
Weight / LBS	6.117
Bore 1	5.251 Inch 133.375 Millimeter
Bore 2	5.396 Inch 137.058 Millimeter
Overall Height with Aligning Washer	0 Inch 0 Millimeter
Outside Diameter	7.135 Inch 181.229 Millimeter



Timken Bearing Company

Height	1.485 Inch 37.719 Millimeter
--------	-----------------------------------