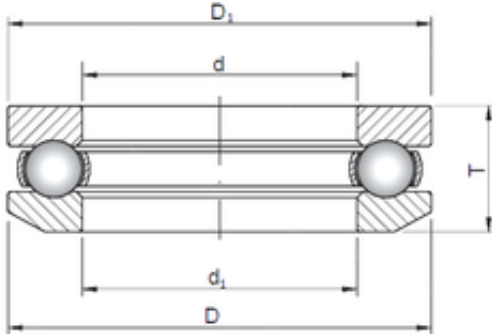




Timken Bearing Company

ISO 53412 Thrust ball bearing



Bearing No. 53412

Bore Diameter	60 mm
Outer Diameter	130 mm
d	60 mm
d1	62 mm
D	130 mm
D1	130 mm
T	54 mm

53412 Bearing 2D drawings and 3D CAD models