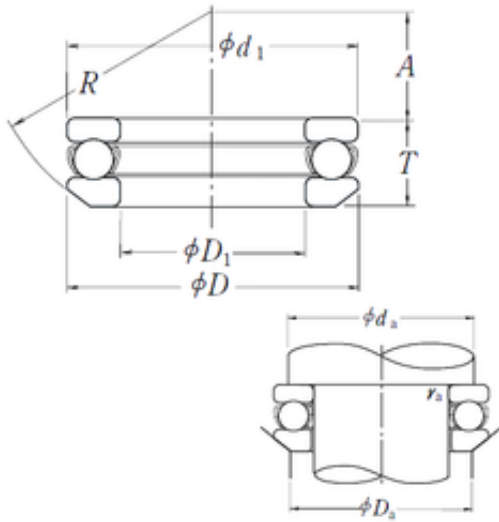




Timken Bearing Company



NSK 53326X Thrust ball bearing

Bearing No. 53326X

Size	130x225x80.3 mm
Bore Diameter	130 mm
Outer Diameter	225 mm
Width	80,3 mm
d	130 mm
D	225 mm
T	80,3 mm
d1	220 mm
r min.	2,1 mm
A	53 mm
D1	134 mm
R	160 mm
da min.	186 mm
Da max.	169 mm
ra max.	2 mm
Weight	12,7 Kg
Basic dynamic load rating (C)	350 kN
Basic static load rating (C0)	1030 kN
(Grease) Lubrication Speed	750 r/min
SRI	18
hidYobi	53326X
LangID	1
D_	225
SREX	0.125
C	350
B_	80.3

53326X Bearing 2D drawings and 3D CAD models



Timken Bearing Company

hidTable	ecat_NSSDTB
Oil rpm	1100
SRE	18
mass	12.7
GRS rpm	750
ra	2
SRIX	0.125
D_a	169
SRIN	0
C0	1030
SREN	0
D_1	134
Prod_Type3	TB_SD_WAS
da	186
DA_	33.338
Z_	15
yobi	53326X
A_	53
T3	80.3
SDM_	177.5
r	2.1
KBRG	5121
R_	160