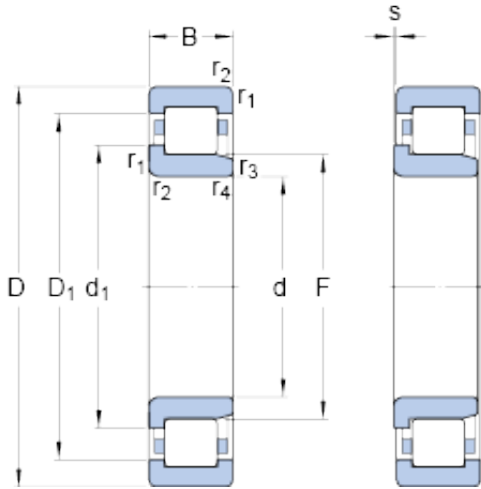




Timken Bearing Company



100 mm x 215 mm x 47 mm SKF NJ 320 ECP Thrust ball bearing

Bearing No. NJ 320 ECP

Size	215x100x47 mm
Bore Diameter	215 mm
Outer Diameter	100 mm
Width	47 mm
d	100 mm
D	215 mm
B	47 mm
d ₁	139 mm
D ₁	181.1 mm
F	127.5 mm
r _{1,2} - min.	3 mm
r _{3,4} - min.	3 mm
s	2.9 mm
d _a - min.	114 mm
d _a - max.	124 mm
d _b - min.	142 mm
D _a - max.	199.6 mm
r _a - max.	2.5 mm
Basic dynamic load rating - C	450 kN
Basic static load rating - C ₀	440 kN
Fatigue load limit - P _u	51 kN
Reference speed	3200 r/min
Limiting speed	3800 r/min
Calculation factor - k _r	0.15

NJ 320 ECP Bearing 2D drawings and 3D CAD models



Timken Bearing Company

Category	Bearings
Inventory	0.0
Manufacturer Name	SKF
Minimum Buy Quantity	N/A
Weight / Kilogram	7.785
Product Group	B04144
d_1	139 mm
D_1	181.25 mm
$r_{1,2}$ min.	3 mm
$r_{3,4}$ min.	3 mm
s max.	2.9 mm
d_a min.	114 mm
d_a max.	124 mm
d_b min.	142 mm
D_a max.	199.6 mm
r_a max.	2.5 mm
Basic dynamic load rating C	450 kN
Basic static load rating C_0	440 kN
Fatigue load limit P_u	51 kN
Calculation factor k_r	0.15
Limiting value e	0.2
Axial load factor Y	0.6
Mass bearing	7.73 kg