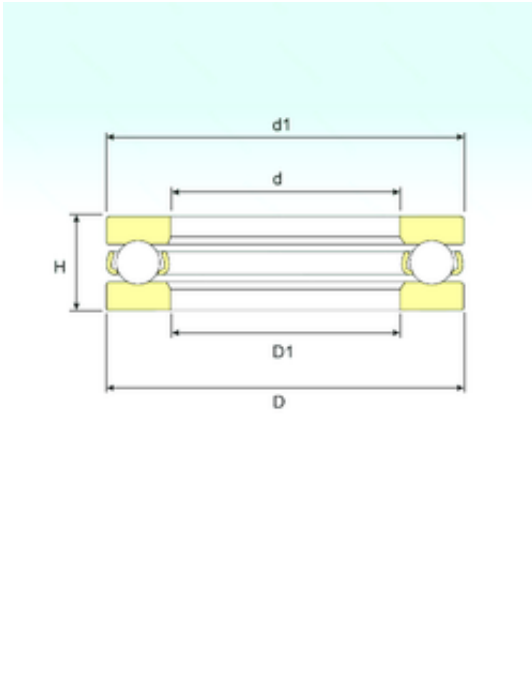




Timken Bearing Company



51208 Bearing 2D drawings and 3D CAD models

ISB 51208 Thrust ball bearing

Bearing No. 51208

Size	40x68x19 mm
Bore Diameter	40 mm
Outer Diameter	68 mm
Width	19 mm
d	40 mm
D	68 mm
H	19 mm
d1	68 mm
D1	42 mm
Weight	0,27 Kg
Basic dynamic load rating (C)	46 kN
Basic static load rating (C0)	104 kN
(Grease) Lubrication Speed	4055 r/min